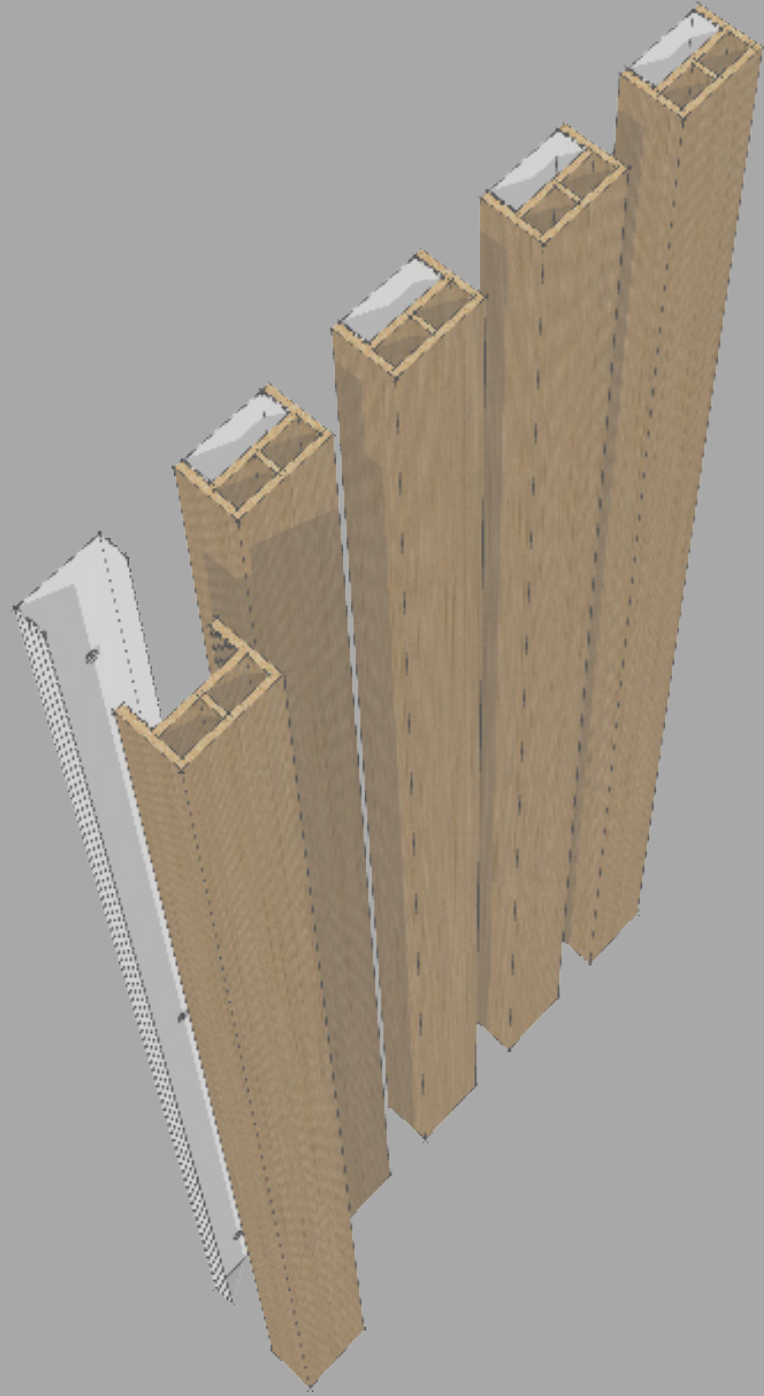


IMPORTANT : All INNOWOOD products must be installed in strict accordance with INNOWOOD'S current (at time of installation) "INSTALLATION MANUAL" and "CARE AND MAINTENANCE GUIDELINES" which can be downloaded from our website : www.innowood.com

Failure to comply with these documents may void warranty and result in an unsatisfactory outcome.



INNOSCREEN

CONCEALED LOCK IN
INSTALLATION MANUAL



BEFORE YOU COMMENCE

Please note that:

The Product is subject to natural variation* in finish as part of the manufacturing process. The purchaser or their installer/builder is responsible for inspecting, prior to installation, the colour, finish and size of the product, identifying whether the Product has any other defect or manufacturing fault, and for ensuring the Product meets surface appearance and product specification requirements. Subject to the terms of our warranty, INNOWOOD is not liable for claims made after the installation of the Product that relate to surface appearance and product specification.





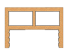


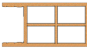




*INNOWOOD product is made predominantly from timber waste, colour will vary up to +/-20% according to the timber used in its manufacture.

It is the responsibility of the specifier or other party to ensure that the information in this manual is appropriate for the intended application and further design detailing may have to be made for specific applications that fall outside the scope of the manual.

Information contained on this document is the copyright of INNOWOOD Australia Pty Ltd. Use or copying of this document in whole or in part without the written permission of INNOWOOD Australia is not permitted.

INNOSCREEN FIXING - CONCEALED LOCK IN PROFILES

PREMIUM RANGE:

CONCEALED LOCK IN				
PROFILE SECTION				
PRODUCT CODE	PS06040	PS05050	PS07550	PS10050
COVERAGE	60mm	50mm	50mm	50mm
ALUMINIUM WALL CHANNEL SECTION	 AL06040P	 AL05050P	 AL05050P	 AL05050P
MAX SPAN WITH ALUMINIUM CONTINUOUS CLIP *	H 800mm V 800mm	H 800mm V 800mm	H 800mm V 800mm	H 600mm V 800mm

*Note - These are just for Guide however longer and shorter spans can be achieved depending on region and wind load, please confirm with structural engineer prior to installation.

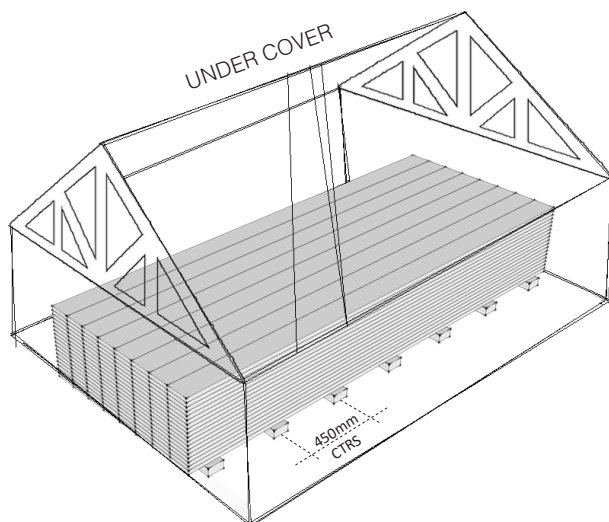
Installation Tips and Requirements

INNOWOOD products can be worked with ordinary woodworking tools such as:

Circular Saw	Cordless Drill
Crosscut Mitre Saw	Level & Chalk Line
Carpenters Square	Tape Measure

Site storage & Product Handling

- INNOWOOD boards should not be stored in the open or covered or wrapped with plastic sheet. INNOWOOD boards are a finished product, do not dump or drop when loading or unloading. Always handle with care.
- INNOWOOD boards should be stored under cover and protected from the elements (including direct sunlight and rain) until ready to install. Remove any plastic wrap including shrink wrap and store on a dry and flat surface supported at max 450mm centres.
- When removing INNOWOOD boards from the pack, do not slide boards against each other, lift the boards and set them down carefully.
- INNOWOOD boards should be carried on their edge for better support.
- When handling INNOWOOD boards take care to avoid scratches, nicks and other damage to the boards.



NOTE:

To ensure long-term performance, we recommend that a professional trade person carry out the installation. The installation MUST be carried out in accordance with these instructions including the use of all trims and accessories.

Thermal movement

Any wood based products will expand and contract with changes in temperature. The amount of expansion varies according to the amount of change in temperature. Although thermal movements are reversible, these movements due to temperature change may vary by up to 2mm per meter.

INNOWOOD boards that have been exposed to direct sun for several hours, prior to installation will have expanded more than boards left in the shade. It is important to maintain an average consistent temperature for all boards as they are being installed.

Avoid installing in full sun if ambient temperature is above 30°C. Ensure the boards are kept out of the sun until installed to limit the boards expansion prior to installation. INNOWOOD products can tolerate a temperature range from -20°C to +65°C.

If the product is to be used in an environment outside of this temperature range, please consult INNOWOOD.

Please bear in mind that:

- Where INNOWOOD boards are to be screw fixed, clearance holes must be pre-drilled before fixing (both INNOWOOD boards and accessories).
- The clearance hole to be drilled must be slightly greater than the outside screw thread diameter.
- Screws must be minimum 15mm but maximum 25mm away from board edges (unless noted otherwise)
- INNOWOOD products must not be used for any structural purpose.
- The cut surface must be sealed with a layer of protective coating such as a water based deck sealer before installation.
- When exposed to direct sunlight, surface temperature may be significantly hotter than ambient temperature.

FRAMING CONSTRUCTION REQUIREMENTS

INNOWOOD Screening may be fixed to seasoned timber batten/ top hat or to a proprietary structural system or may be fixed directly to structural substrate such as brick or masonry.

For INNOWOOD Screening observe max span figures on page 2 in urban and non-cyclonic wind load areas.

For higher wind-load areas reducing fixing span may be required.

Each single lengths of screening must be fixed at minimum 3 fixing points.

As with all screening profile products the adequacy of a proposed installation should always be checked by a qualified engineer.

When using battens/top hats they must have a face width not less than 45mm for timber and 35mm for steel.

Timber Support Battens

It is important to use adequately seasoned timber to minimise shrinkage and associated building movement, which may damage the screen system.

Adhesive

Where adhesive is mentioned in this manual it must be a high quality polyurethane adhesive (we recommend sikaflex 11FC) or construction adhesive (we recommend selleys liquid nails rapid cure) for external use.

Steel Support Top Hats or Framing

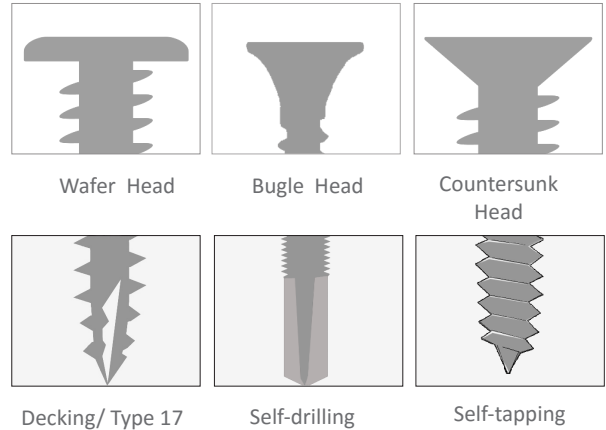
Where steel support top hats or framing is used, use only corrosion resistant galvanized steel.

Screws

Screws must comply with AS 3566 Self Drilling Screws for the Building and Construction Industries.

Screws must have a minimum Class 3 corrosion resistance, suitable for external applications in mild, moderate industrial and marine environments and Class 4 or stainless steel for severe environments.

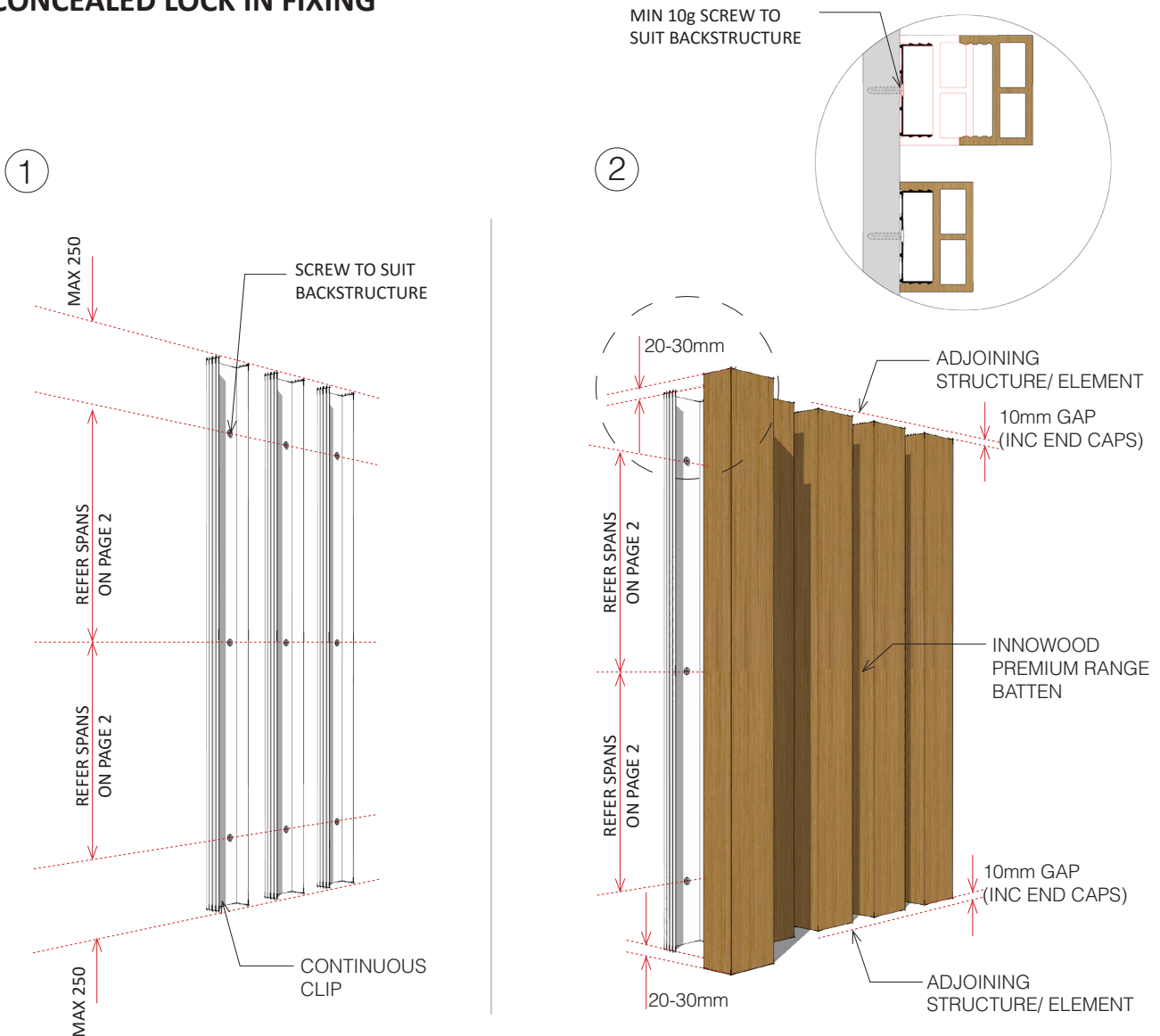
Screws with class 1 or 2 corrosion resistance may be used for internal use depending on the individual application.



INSTALLATION PROCEDURE

Please note that the following instruction is applicable for PS05050, PS06040, PS07550, PS10050.

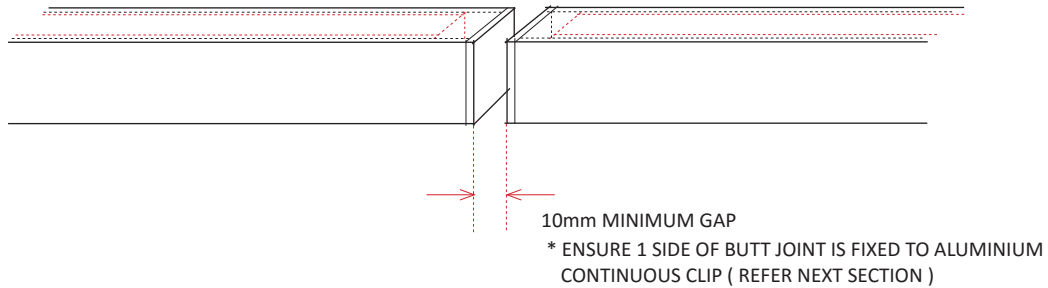
CONCEALED LOCK IN FIXING



1. Note: Minimum 10mm clearance should be maintained at each end of batten including end caps (if using) to allow for expansion.
2. Fix continuous aluminium strip to back structure using suitable screws (min 10g). Set strips at desired batten spacing centres.
Note: Aluminium strip must be 20-30 mm shorter than batten at each end.
3. Position batten in alignment with aluminium clip and press over clip with hands or a soft rubber mallet until full engagement is achieved.
4. Use end caps to finish off both ends if necessary by gluing in place using a high quality polyurethane adhesive or construction adhesive for external use.

BUTT JOINTS

2 lengths must not be joined together and must always be set with a gap as indicated below.

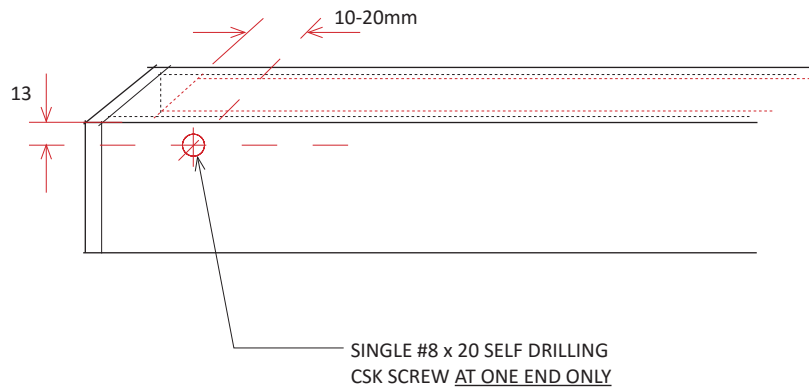


CONTROLLING EXPANSION / CONTRACTION

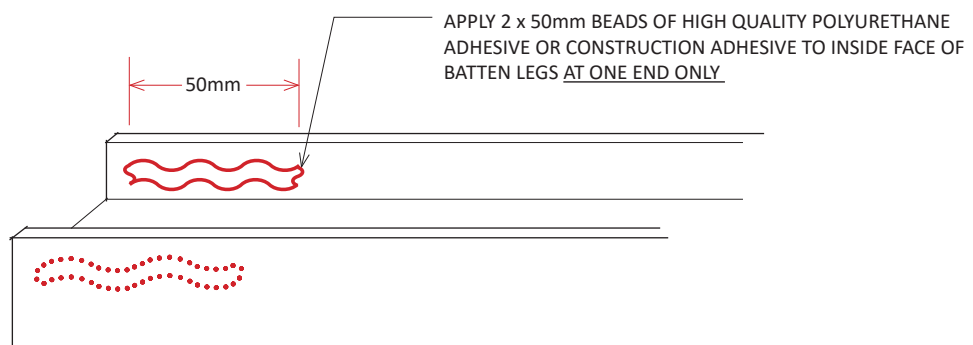
One end of each Innowood batten should always be fixed to aluminium continuous clip to ensure all expansion / contraction occurs at the other end. This can be carried out 1 of 2 ways as indicated below.

Note: All expansion & contraction will occur at unfixed end.

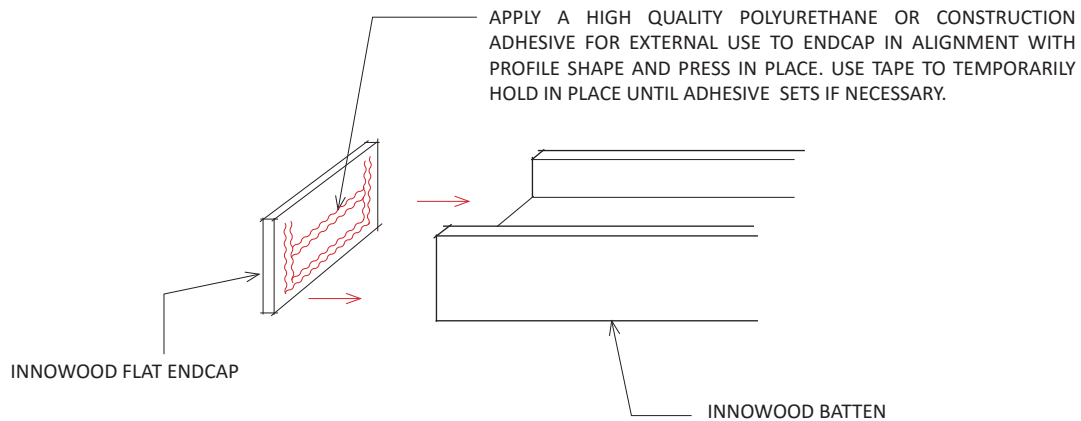
OPTION 1



OPTION 2

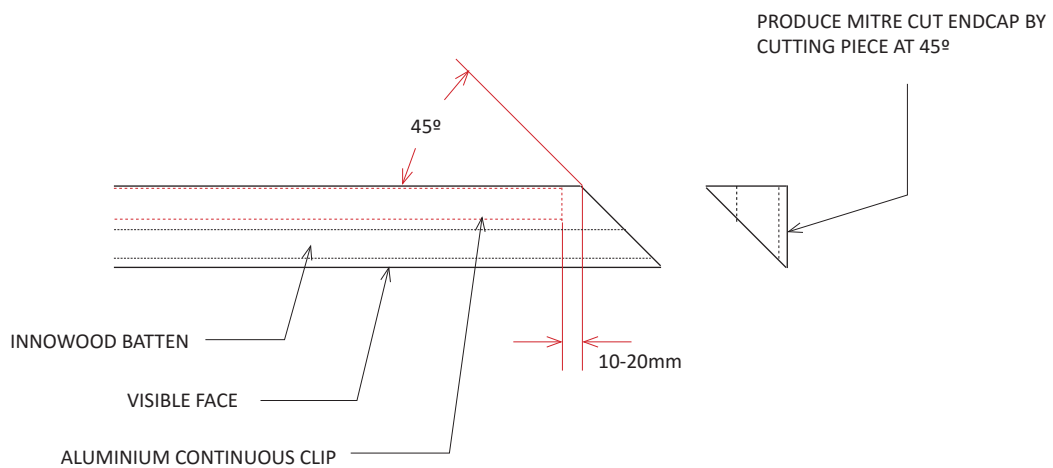


STANDARD END CAP



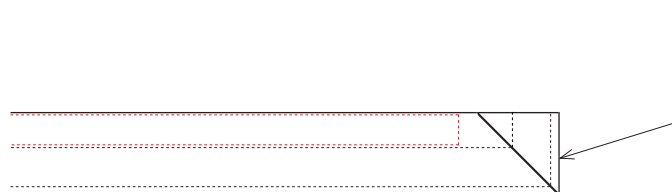
OPTIONAL MITRE CUT END CAP SOLUTION

STEP ①



STEP ②

GLUE MITRE CUT END CAP IN PLACE USING A HIGH QUALITY POLYURETHANE ADHESIVE OR CONSTRUCTION ADHESIVE FOR EXTERNAL USE. USE TAPE TO TEMPORARILY HOLD IN PLACE UNTIL ADHESIVE SETS IF NECESSARY.





FOR MORE INFORMATION, PLEASE VISIT INNOWOOD AT

WWW.INNOWOOD.COM

OR CALL **1300 787 717**